

SMALL SIZE ULTRA PRECISION TCXO WITH OCXO STABILITY MV202

Features:

- Frequency range: 9.8304 – 20.MHz
- Standard frequencies: 12.288; 12.8 MHz
- Low current consumption: < 14 mA
- 5V Power supply
- Stability vs. temperature: up to $\pm 1.5 \times 10^{-7}$
- Aging: up to $\pm 1.5 \times 10^{-7}$ /year

Phase noise, dBc/Hz	S2	S1
10 Hz	-	<-90
100 Hz	<-110	<-120
1000 Hz	<-130	<-140
10000 Hz	<-140	<-145

ORDERING GUIDE: MV202-B 300 H-12.8 MHz-S1

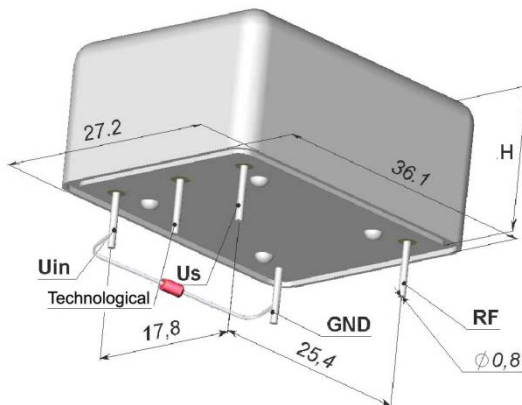
Availability of certain stability vs. operating temperature range		$\pm 5 \times 10^{-7}$	$\pm 3 \times 10^{-7}$	$\pm 2 \times 10^{-7}$	$\pm 1.5 \times 10^{-7}$
		500	300	200	150
A	0...+55°C	A	A	A	C
B	-10...+60°C	A	A	A	C
C	-20...+70°C	A	A	A	C
D	-40...+70°C	A	A	C	C

A – available, C – consult factory

Availability of certain aging values for certain frequencies			Standard frequencies	
			10.0 MHz	12.8 MHz
J	$\pm 5 \times 10^{-7}$ /year	$\pm 5 \times 10^{-9}$ /day	A	A
I	$\pm 3 \times 10^{-7}$ /year	$\pm 3 \times 10^{-9}$ /day	A	A
H	$\pm 2 \times 10^{-7}$ /year	$\pm 2 \times 10^{-9}$ /day	A	C
G	$\pm 1.5 \times 10^{-7}$ /year	$\pm 1.5 \times 10^{-9}$ /day	C	NA

A – available, NA – not available, C – consult factory

Package drawing:



H=12.7 mm

Pins Uin and GND are connected by technological resistor (18±6 kOhm) to adjust the frequency. This resistor can be removed in time of installation of the oscillator to an electronic device providing the same resistance between the pins Uin and GND.

Additional notes:

- For non standard operating temperature ranges please use the following two letters designations (first letter for the lower limit, second letter for the upper limit), °C:

A	B	C	D	E	F	G	H	J	K	L	M	N	P	Q	R	S	T	U	W	X
-60	-55	-50	-45	-40	-30	-20	-10	0	+10	+30	+40	+45	+50	+55	+60	+65	+70	+75	+80	+85

Frequency stability vs. power supply changes	< $\pm 2 \times 10^{-8}$
Frequency stability vs. load changes	< $\pm 5 \times 10^{-8}$
Power supply (Us)	5V±10%
Steady state current consumption @ 25°C	< 14 mA
Output	SIN
Level	> 250 mV RMS
Load	50 Ohm ±5%
Harmonic suppression	> 20 dB
Warm-up time within accuracy of < $\pm 5 \times 10^{-7}$	< 2 s
Frequency pulling range	> $\pm 2,0 \times 10^{-6}$

Mechanical characteristics

Vibrations:	
Frequency range	10-500 Hz
Acceleration	6 g
Shock:	
Acceleration	500 g/ (0,2...2) ms
Duration	100 g/ (1...5) ms

 **MORION, Inc.**

13a, KIMa Ave., St.Petersburg, 199155, RUSSIA. <http://www.morion.com.ru>
Tel.:+7-812-350-9243; 332-5032. Fax:+7-812-350-7290. e-mail: sale@morion.com.ru